



Bog Fender Instructions

For Model:7031

Thanks for buying these Planet Bike fenders. We design them to make you want to steer your bike towards big puddles and get through them with a smile. Failure to follow installation instructions can result in loss of control, damage, personal injury or death. If you are unsure of any part of the installation process, please consult a qualified bicycle mechanic or local bike shop. If you have any questions regarding installation of the fenders, feel free to check out the FAQs at www.planetbike.com or email us at info@planetbike.com.



1

Use Appropriate Plastic Collar:



Fits 18.5-22.2mm (3/4-7/8")

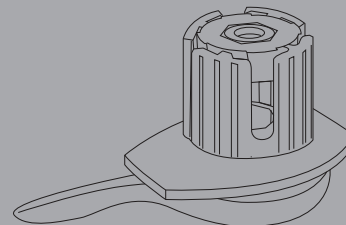
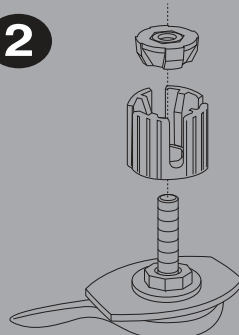


Fits 22.2-25.4mm (7/8-1")



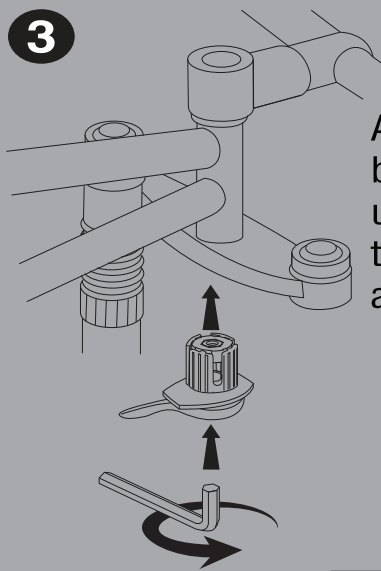
Fits 31.8 to 34.5mm (1 1/4 - 1 23/64")

2



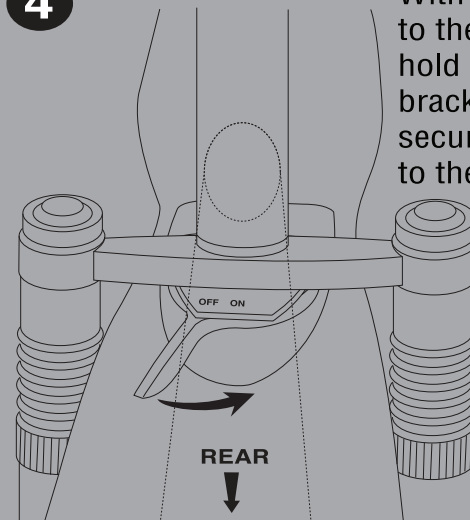
Collar and Bracket Assembly

3



After inserting collar and bracket assembly into the underside of the head tube, tighten it in with the allen wrench.

4



With bracket lever switched to the "off" position, hold fender firmly against bracket from below and secure by flipping the lever to the "on" position. When installing fender, make sure that the lever is all of the way to the left (there are two "clicks" from "on" to "off").